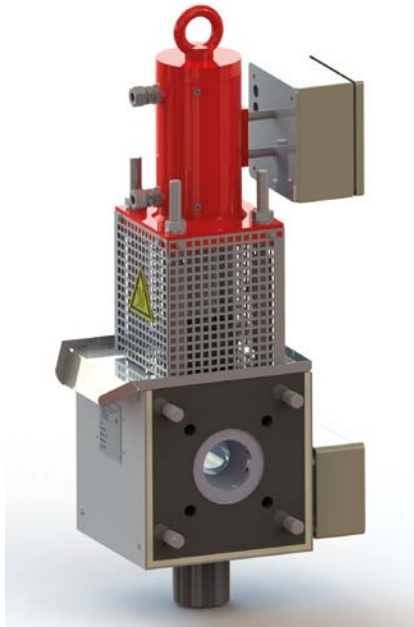


Diverter Valve TAV/TWV

for diverting polymers and fluids



- Robust
- Easy operation
- Energy efficient

Trendelkamp diverter valves are well known and accepted worldwide. They effectively perform a variety of functions in the polymer, chemical and food industries.

TAV/TWV valves can be used for smooth, efficient start-up processing, for diverting fluids to one or more ports and to conveniently inject additives directly into the main polymer flow.

Benefits:

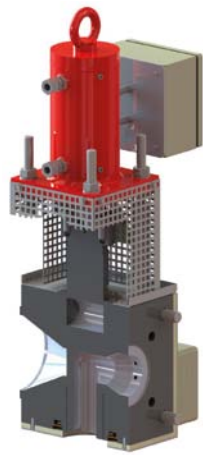
- Robust and highly reliable
- Easy operation and maintenance
- Fast bolt movement < 1 sec
- Hydraulically operated
- Energy efficient due to insulated housing

Options:

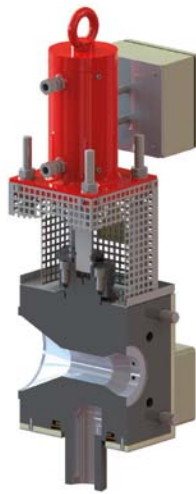
- Oil, steam or electrical heating
- High-temperature design, up to 450°C
- Special coating for abrasive/corrosive applications
- Stainless steel design
- Hazardous area design
- 2-Way and 3-Way design options
- Support cart
- Adjustable flow channel restrictor

Diverter Valve TAV/TWV

Diverter Valve TAV – Positions:



Start-up



Production



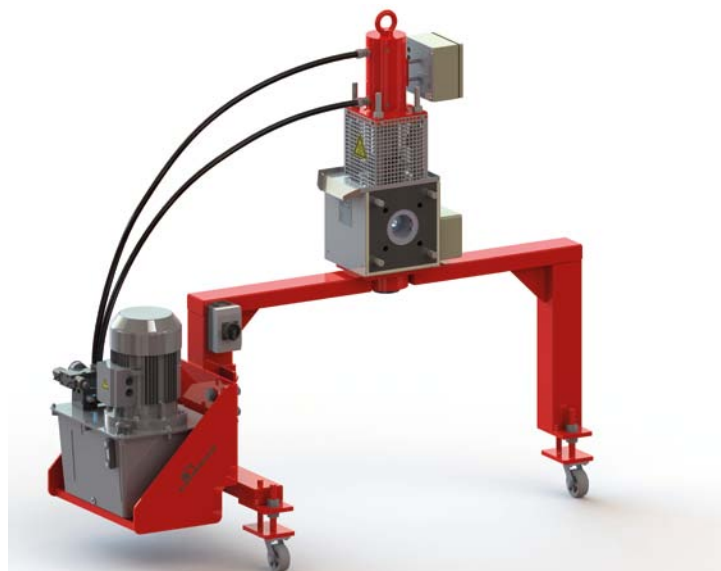
Cleaning

Functional Principle:

A machined bolt is properly seated into the highly precise valve housing. The low tolerance between bolt and housing seals the valve and prevents leakage. The hydraulic cylinder moves the valve bolt into the desired positions. TAV units are considered start-up valve systems that typically include a start-up and production position. Whereas the highly adaptable TWV valves are considered way valves that consist of a production and one or several divert positions.

Applications:

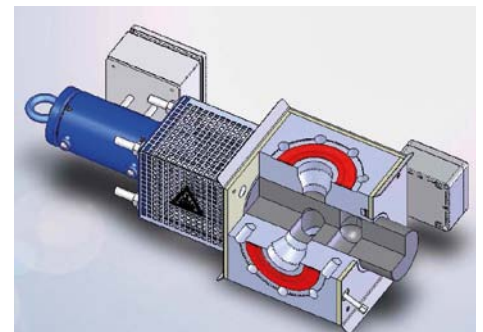
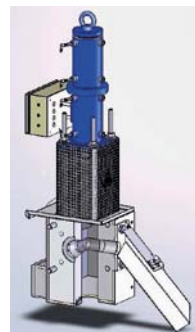
- Under water pelletizing start-up
- Extruder start-up
- Diverting of melts
- Melt flow split or reduction
- Additive injection



Diverter Valve TWV – Positions:

diverting
production
blocking

upward diverting
downward diverting



Diverter Valve TAV/TWV				
Model	Filter Area	Extruder Throughput	Heating Power	Hydraulic Power
TAV / TWV 2	Ø 20 mm	up to 350 kg/h	2.8 kW	1.1 kW
TAV / TWV 3	Ø 35 mm	up to 1,500 kg/h	5.0 kW	7.5 kW
TAV / TWV 4	Ø 60 mm	up to 4,000 kg/h	6.4 kW	7.5 kW
TAV / TWV 5	Ø 80 mm	up to 5,500 kg/h	6.4 kW	7.5 kW
TAV / TWV 6	Ø 100 mm	up to 7,500 kg/h	8.0 kW	15.0 kW
TAV / TWV 7	Ø 115 mm	up to 10,000 kg/h	10.0 kW	18.5 kW

Further models upon request.